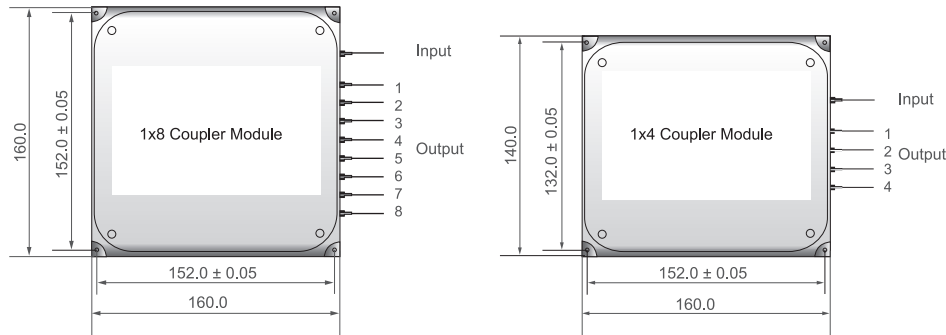


PM FILTER COUPLER MODULE

- Compact High Performance
- High Extinction Ratio
- Low Insertion Loss



This Product series is manufactured by using advanced technology to allow the input signal to be splitted into multichannels at a given splitting ratio with high extinction ratio, low excess loss, low uniformity, low WDL and low TDL. It can be widely used in fiber sensors, amplifiers, lasers, etc.

PARAMETERS	VALUE		UNIT	SPECIFICATIONS*
	1X4	1X8		
Center Wavelength (λ_c)	1310 or 1550		nm	
Operating Wavelength Range	$\lambda_c \pm 30$		nm	
Insertion Loss	≤ 7.5 , Typ. 7.0	≤ 11 , Typ. 10.5	dB	
Wavelength Dependent Loss	≤ 0.5 , Typ. 0.3		dB	
Max. IL Uniformity	0,8	1	dB	
Min. Return Loss	50		dB	
Directivity	50	45	dB	
Min. Extinction Ratio	20		dB	
Max. Temperature Dependent Loss	0,006	0,008	dB/°C	
Operating Temperature	-5 to +70		°C	
Storage Temperature	-40 to +85		°C	
Fiber Type	PM Panda fiber			
Package Dimensions	160 × 140 × 10mm	160 × 160 × 10mm		

*Note: IL is 0.3 dB higher, RL is 5 dB lower, and ER is 2 dB lower for each connector added. Connector key is aligned to slow axis.

CODE	WAVELENGTH	N° OF PORTS	SPLITTING RATIO	CONNECTOR TYPE	FIBER TYPE	FIBER LENGTH
F4M-PMFCM	31	1310nm	14 1x4	EV Evenly Splitted	O None	PF 250µm Panda Fiber
	55	1550nm	18 1x8	S Specify	A SC/UPC	9L 900µm Loose Tube
	S	Specify	S Specify		B SC/APC	S Specify
					C FC/UPC	
					D FC/APC	
				E LC/UPC		
				Q LC/APC		
				S Specify		

ORDER CODE example:

F4M-PMFCM - 55 - S - S - S - S - S

ORDER CODES

Specifications may change without notice. Display Product Photos Shown are samples for viewing, not actual products. Colours and styles may vary.

www.fiberon.com