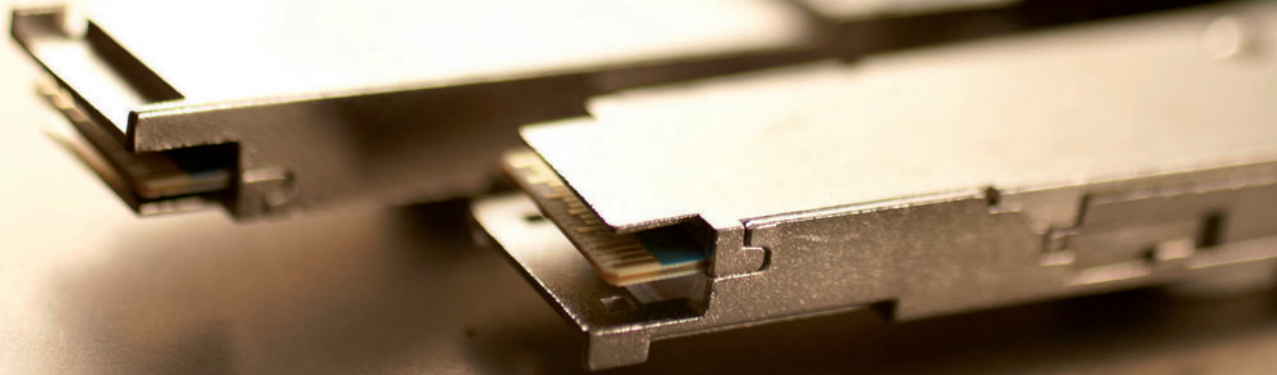


- Active Optical Cable (Paddle cards w/integrate VCSEL and fiber cable). ALL in ONE

QSFP+ Active Optical Cable



- Compatible with industry standard QSFP cages +Switches
- EEPROM signature can be customized.

APPLICATION

- Mass storage
- SDR, DDR, and QDR InfiniBand applications
- 4G/8G/10G Fiber Channel
- High Performance Computing Clusters
- High End Servers
- Metro Network Switch/Cross Connect

The QSFP+AOC offers 4 independent data transmission channels and 4 data receiving channels via the multiple optical fibers, each capable of 10Gbps operation. Consequently, an aggregate data rate of 40Gbps over 100 meters transmission can be achieved by this product, to support the ultra-fast computing data exchange.

Fiberon QSFP+AOC are designed to be fully compatible in form factor and optical/electrical connection according to the QSFP+ Multi- Source Agreement.

QSFP+ (Quad SFP+) connectors provide four channels of data in one pluggable interface. Each channel is capable of transferring data at 10Gbps and supports a total of 40Gbps as specified for QSFP+.

CHARACTERISTICS

- Limited EMI/RFI Exposure
- Low Bit-Error Rate $<10^{-12}$
- ~100 meters, longer lengths available upon request.
- 25 mm bend radius.
- Industry Compatible

These interconnects have three times the density of SFP+ interconnects (MSA), and have been designed to meet the harshest external operating conditions including temperature, humidity and EMI interference.

This product converts the parallel electrical input signals into parallel optical signals (light), by a driven Vertical Cavity Surface Emitting Laser (VCSEL) array. The optical signals are converted into parallel electrical signals and outputted. Consequently, each terminal of the cable has 8 ports, 4 for data transmission and 4 for data receiving, to provide totally 40Gbps data exchange.

40Gb/s QSFP+ Active Optical Cable Assembly.

HIGH SPEED ACTIVE OPTICAL CABLE

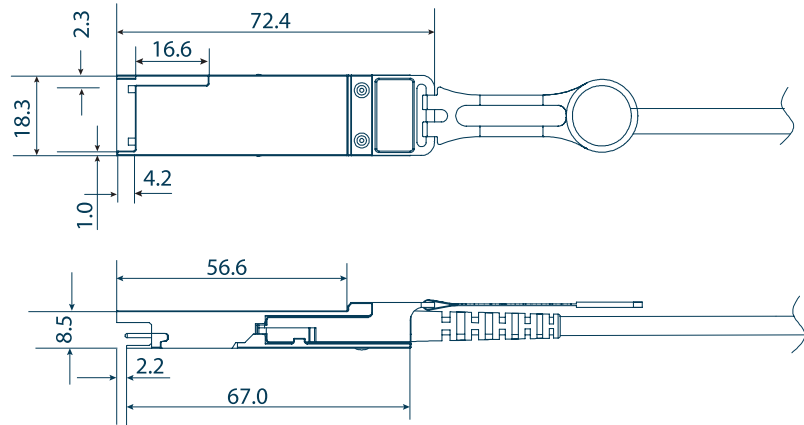


QSFP+ connector style supports connections for an I2C serial interface, which can be used to identify the product and performance capabilities.



MAXIMUM RATINGS

Parameter	Typical Value	Unit	Notes
Number of Lanes	4 Tx & 4 Rx		
Date Rate, each Lane	10.5	Gb/s	
Maximum Aggregate Data Rate	42.0	Gb/s	
Bit Error Ratio	<10 ⁻¹²		
Interface	Serial, I2C-based		defined by the QSFP MSA
Power Consumption, each terminal	0.8	W	
Operation Temperature	0~+70	°C	



Parameter	Symbol	Min	Max	Unit
Storage Temperature	Tst	-40	85	°C
Relative Humidity (non-condensation)	RH	0	85	%
Operating Case Temperature	Topc	0	70	°C
Supply Voltage	VCC	-0.5	3.6	V

A single +3.3V power supply is required to power up this product. Both power supply pins VccTx and VccRx are internally connected and should be applied concurrently. As per MSA specifications the module offers 7 low speed hardware control pins (including the 2-wire serial interface): ModSelL, SCL, SDA, ResetL, LPMODE, ModPrsL and IntL.

CODE	TYPE		CABLE LENGTH		CABLE TYPE	
F4M-AOC	QSFP-F (Fiber)	QSFP+ Assembly	5	5m	1	Standard
			10	10m	S	Specify
			15	15m		
			30	30m		
			50	50m		
			100	100m		
			S	Specify		

ORDER CODES

Note:

- 1) Various cable lengths available for all types
- 2) Long lengths available
- 3) latch/tab available "On top" or "Bottom" position

F4M-AOC - QSFP-F - S - S

Specifications may change without notice. Display Product Photos Shown are samples for viewing, not actual products. Colours and styles may vary.

www.fiberon.com

USA
Tel. +1 508 616 9500
Fax +1 508 616 9600
salesUS@fiberon.com

ITALY
Tel +39 011 8608283
Fax +39 011 6604752
salesEU@fiberon.com

POLAND
Tel. +48 71 727 7237
Fax +48 71 793 99 11
salesEU@fiberon.com

Hong Kong, PRC
Tel. +852 3171 7616
Fax +852 3171 7613
salesCHINA@fiberon.com

Taiwan (R.O.C.)
Tel +886 939512000
Tel/Fax: +886 2 85228160
salesTAIWAN@fiberon.com

DUBAI, U.A.E.
Tel. +971 4 881 6056
Fax +971 4 881 6057
salesMEA@fiberon.com

