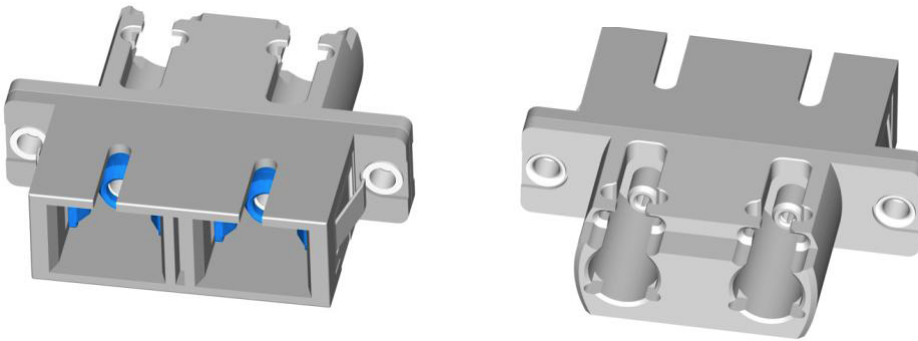


LC - SC HYBRID ADAPTER DUPLEX

Hybrid Adapters

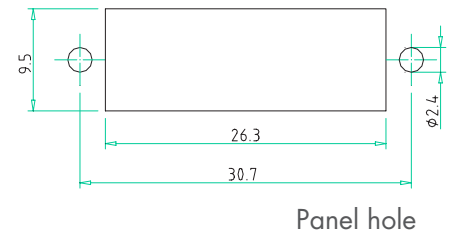
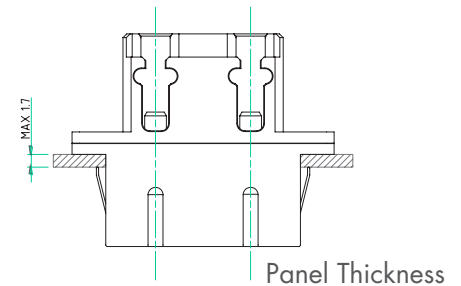


This specification concerns the requirement of the LC-SC hybrid duplex adapter with rectangular flange for Singlemode and Multimode applications

The LC-SC hybrid duplex adapter is available for PC and APC applications with plain or thread rivets. The adapter can be supplied with mount plate on SC side or without mount plate. The straight alignment sleeves are available as:

- Zirconia - Top quality SM PC and APC
- Nickel - High quality SM PC and APC

Each adapter is packed as standard in units of 25 pieces, in plastic blisters without logo or any other company marking; screws for thread rivets model are packed as standard in units of 50 pieces in plastic bag. Single packaging solutions or different packaging are available on request.



PARAMETERS	VALUE						UNIT
Typical Insertion Loss	SM PC at 1310 nm	0.30	SM APC at 1310 nm	0.45	MM at 850 nm	0.25	dB
Sleeve withdraw force SC side	2 – 6 N						
Sleeve withdraw force LC side	1 – 3 N						
Operating Temperature	-25 ~ +70						°C
Storage Temperature	-40 ~ +85						°C
COMPONENT	LC SIDE			SC SIDE			
External Housing	Nickel Plated Brass			Nickel Plated Zinc Alloy			
Internal housing	Nickel Plated Brass			PBT 20% FRP*			
Mount plate	---			Stainless Steel			
Dust cap	PP UL94V-0			PBT 20% FRP*			
Bidiameter Sleeve	Metal or Zirconia						
Plain or Thread Rivets	Nickel Plated Brass						
Screws for Thread Rivets**	Stainless Steel						

* Blue for PC and Green for APC applications.

** Max torque 0.15 N.m.