

56GB/S QSFP+ SR4

56Gb/s QSFP+

CHARACTERISTICS

- Four-channel full-duplex transceiver modules
- Transmission data rate up to 14.025Gbit/s per channel
- 4 channels 850nm VCSEL array
- 4 channels PIN photo detector array
- Low power consumption <1.5W
- Housing isolated from connector ground
- Operating case temperature 0°C to +70°C
- 3.3V power supply voltage
- RoHS 6 compliant
- Hot Pluggable QSFP form factor
- Maximum link length of 100m on OM3 Multimode Fiber (MMF) and 150m on OM4 MMF
- Single MPO connector receptacle
- Built-in digital diagnostic function



APPLICATIONS

- InfiniBand FDR
- 16x Fibre Channel
- PCI-e3.0
- Proprietary High Speed Interconnections
- SAS 3.0

This transceiver is a Four-Channel, Pluggable, Parallel, Fiber-Optic QSFP+ Transceiver for InfiniBand FDR/QDR/DDR/SDR, 16G/10G/8G/4G/2G fiber channel, PCIe and SAS Applications. It integrates four data lanes in each direction with 56 Gbps bandwidth. Each lane can operate at 14.025 Gbps up to 100 m using OM3 fiber or 150 m using OM4 fiber. These modules are designed to operate over multimode fiber systems using a nominal wavelength of 850nm. The electrical interface uses a 38 contact edge type connector. The optical interface uses an 12 fiber MTP (MPO) connector.

PARAMETER	SYMBOL	MIN	MAX	UNIT
Supply Voltage	Vcc	-0.3	3.6	V
Input Voltage	Vin	-0.3	Vcc+0.3	V
Storage Temperature	Tst	-20	85	°C
Case Operating Temperature	Top	0	70	°C
Humidity(non-condensing)	Rh	5	95	%

ABSOLUTE MAXIMUM RATINGS

PARAMETER	SYMBOL	MIN	TYPICAL	MAX	UNIT
Supply Voltage	Vcc	3.13	3.3	3.47	V
Operating Case temperature	Tca	0		70	°C
Data Rate Per Lane	fd	2.5		10.3	Gbps
Humidity	Rh	5		85	%
Power Dissipation	Pm			1.5	W
Fiber Bend Radius	Rb	3			cm

OPERATING CONDITIONS

F4M-QSFP-MP56-SR4C

Specifications may change without notice. Display Product Photos Shown are samples for viewing, not actual products. Colours and styles may vary.

www.fiberon.com



USA
Tel. +1 508 616 9500
Fax +1 508 616 9600
salesUS@fiberon.com

ITALY
Tel. +39 011 8608283
Fax +39 011 6604752
salesEU@fiberon.com

POLAND
Tel. +48 71 727 7237
Fax +48 71 793 99 11
salesEU@fiberon.com

Hong Kong, PRC
Tel. +852 3171 7616
Fax +852 3171 7613
salesCHINA@fiberon.com

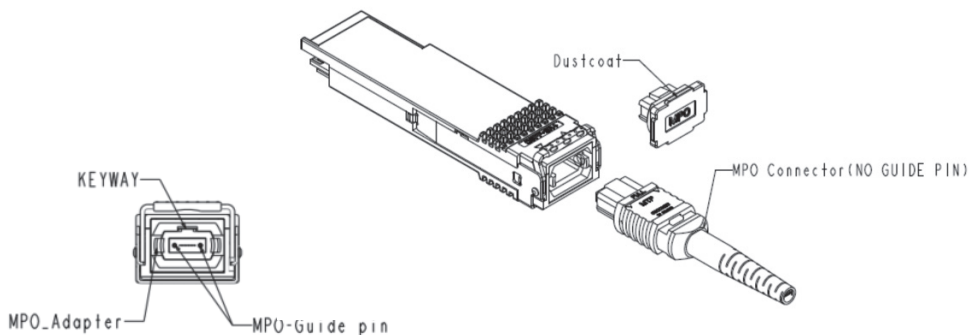
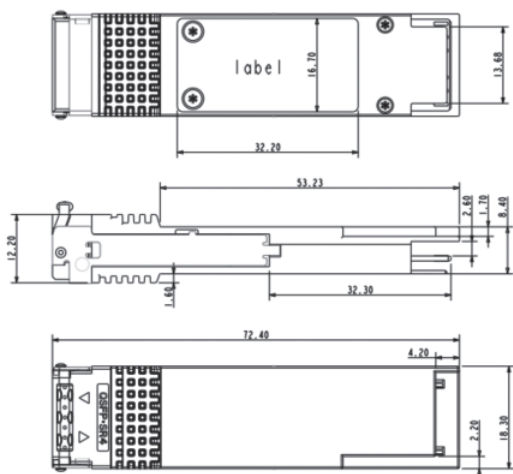
Taiwan (R.O.C.)
Tel. +886 939512000
Tel/Fax: +886 2 85228160
salesTAIWAN@fiberon.com

DUBAI, U.A.E.
Tel. +971 4 881 6056
Fax +971 4 881 6057
salesMEA@fiberon.com

56GB/S QSFP+ SR4

56Gb/s QSFP+

MECHANICAL DIMENSIONS



MPO QSFP CABLE ASSEMBLIES

QSFP(Quad Small Form-factor Pluggable) with 4TX and 4RX channels meets QSFP requirements up to 10Gb/s per channel for a 40G interface. Available in both MPO to MPO or MPO to LC breakout configurations.

MPO connectors meet TIA/EIA604-5 and IEC61754-7.

Please contact FIBERON for configurations
Custom configurations available upon request

FEATURES/BENEFITS

- Assemblies wired for QSFP applications
- All assemblies meet TIA/EIA and IEC intermateability standards
- Customized breakout lengths and fan-out-sizes available
- RoHS compliant

PARAMETER	VALUE
Insertion Loss	MPO ≤ 0.5dB typical
	LC ≤ 0.35dB typical
Fiber Count	4 Rx, 4 Tx
Fiber Type	50/125 OM3

