

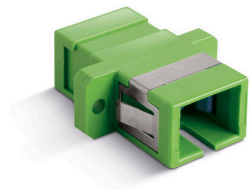
# SC ADAPTERS

For Elite™ option, please add E to the Adapter code.  
Example: AD-SCE-XX-XX-XX

- Ultra low insertion loss
- IEC60B74-14; F04 (JIS C5973); FOCIS-3; TIA/EIA-604-3A; Telcordia GR-326-4 CORE Compliant
- UL94 V-0 rated plastic housing or metal housings available
- With or without flange options for installation flexibility
- RoHS compliant

SPECIFICATION	SINGLEMODE	MULTIMODE
Insertion Loss	0.10dB Typical	0.15dB Typical
Durability	<0.1dB Typical change, 500 matings	

## SC ADAPTER SIMPLEX



CODE	TYPE	COLOR	SLEEVE TYPE	FLANGE
AD-SC	SX	Simplex	1 Zirconia Ceramic	FL With Flange
	SX1P	One Piece Simplex	2 Phosphor Bronze	NF No Flange
			3 Elite Zirc. Ceramic (Ultra Low Loss)	
			4 Beige	
			5 Aqua	

ORDER CODE example: **AD-SC - SX - 31 - FL**

For Adapters with Shutters, please add:  
-ESH to the end of the part number for External shutter installed  
-ISH to the end of the part number for Internal shutter installed

## SC ADAPTER DUPLEX



CODE	TYPE	COLOR	SLEEVE TYPE	FLANGE
AD-SC	DX	Duplex	1 Zirconia Ceramic	FL With Flange
	DX1P	One Piece Duplex	2 Phosphor Bronze	NF No Flange
			3 Elite Zirc. Ceramic (Ultra Low Loss)	
			4 Beige	
			5 Aqua	

ORDER CODE example: **AD-SC - DX - 11 - FL**

For Adapters with Shutters, please add:  
-ESH to the end of the part number for External shutter installed  
-ISH to the end of the part number for Internal shutter installed

## SC SNUG FIT\*



CODE	TYPE	COLOR	SLEEVE TYPE
AD-SCSF	SX	Simplex	1 Zirconia Ceramic
	DX	Duplex	2 Phosphor Bronze
			3 Elite Zirc. Ceramic (Ultra Low Loss)
			4 Beige
			5 Aqua

ORDER CODE example: **AD-SCSF - DX - 11**

For Adapters with Shutters, please add:  
-ESH to the end of the part number for External shutter installed  
-ISH to the end of the part number for Internal shutter installed

\*Patent Pending

01/03/16-Interconnect-FAM-Rev 2.7 - Changes without prior notice

Specifications may change without notice. Display Product Photos Shown are samples for viewing, not actual products. Colours and styles may vary.

www.fiberon.com



HEADQUARTER  
Tel. +1 508 616 9500  
Fax +1 508 616 9600  
sales@fiberon.com

USA-CA  
Tel +1-408-262-8500  
Fax +1-408-262-8600  
sales@fiberon.com

POLAND  
Tel. +48 71 727 7237  
Fax +48 71 793 99 11  
sales-eu@fiberon.com

Hong Kong, PRC  
Tel. +852 3171 7616  
Fax +852 3171 7613  
sales-ch@fiberon.com

Taiwan (R.O.C.)  
Tel. +886 939512000  
Tel/Fax: +886 2 82854503  
sales-tw@fiberon.com

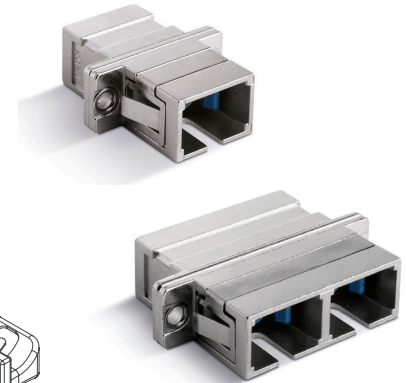
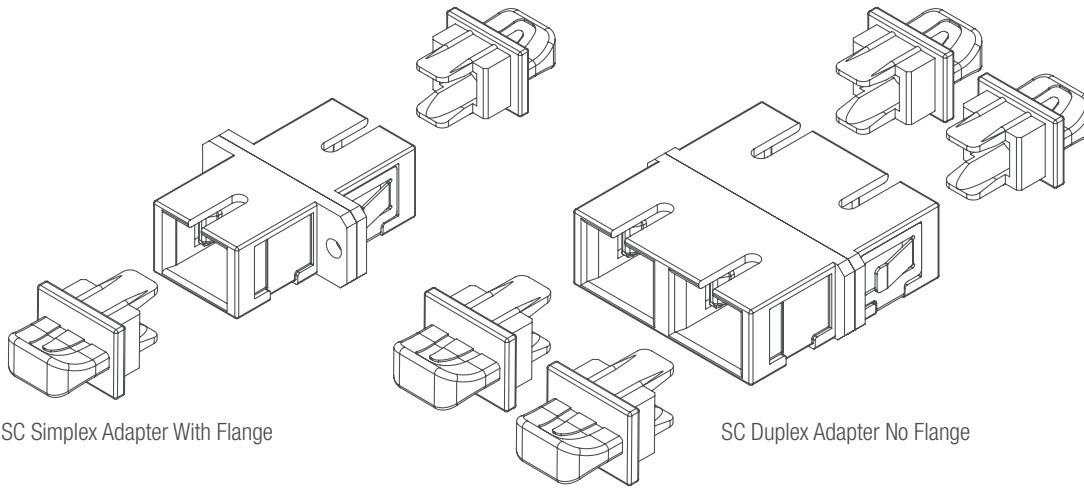
DUBAI, U.A.E.  
Tel. +971 4 3712968  
Fax +971 4 3712969  
sales-mea@fiberon.com

## SC METAL ADAPTER

CODE	TYPE		SLEEVE TYPE	
AD-SC	SXMT	Simplex	1	Zirconia Ceramic
		Duplex	2	Phosphor Bronze
			3	Elite Zirc. Ceramic (Ultra Low Loss)

ORDER CODE example:

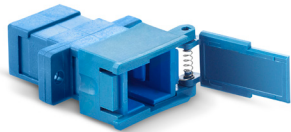
AD-SC - SXMT - 1



### MATERIAL INFO

Housing (x2)	PBT
Hook (x2)	PES or PPS
Sleeve	Zirconia or Pb
Dust Cap (x2)	PP
Mounting Plate	SUS

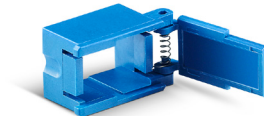
## REMOVABLE SHUTTER SC SX/SC DX



ORDER CODE example:

RSH - SCSX - 1

CODE	TYPE		COLOR	
RSH	SCSX	SC Simplex	1	Blue
		SC Duplex	2	Black
			3	Green
			4	Beige
			5	Aqua

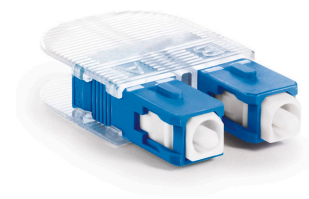


## SC LOOPBACK MODULES

CODE	TYPE		CONNECTOR TYPE		FIBER		COLOR	
LB-SCK	SM	Singlemode	AA	SC/UPC	9	900µm Fiber	S	Transparent
		Multimode	BB	SC/APC				2

ORDER CODE example:

LB-SCK - SM - BB - 9 - S



Specifications may change without notice. Display Product Photos Shown are samples for viewing, not actual products. Colours and styles may vary.

www.fiberon.com